

single sided direct vent **H42** series flush



an experienced leader in the gas fireplace industry

The Art Of Fire Places

 **MONTIGO**[®]

HW42DF Shown with Designer Logset

Features Common to All Models:

- **Fireplace may be installed using Top or Rear Direct Vent flue outlet for maximum versatility**
- **Flush or Clean-Face Design allows for brick or tile installation over the fireplace frame**
- **Unique pan burner design with patented burner technology**
- **Herringbone Fibre Brick Lining**
- **Ceramic fibre logset with glowing embers provide realism, detail and the glow of a real wood fire**
- **Large viewing area for a full view of the spectacular fire**
- **Snap-Lock door system for tool free access inside the firebox**
- **Hi/Lo control for adjusting flame level**
- **Piezo spark ignition**
- **Millivolt control allows for continuous operation, even during a power failure**
- **100% fail-safe shut-off valve**

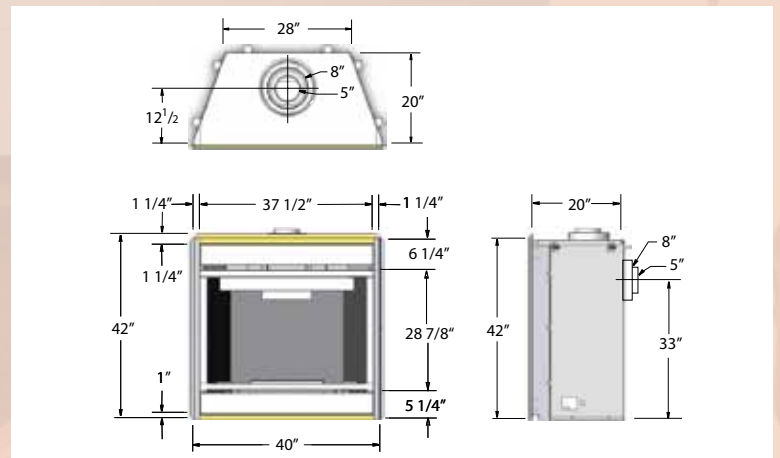
Design Options:

- **100-CFM cross-flow blower kit available to increase heat circulation. The kit is available with optional heat-activated control and variable speed control**
- **Arched door cover**
- **Starburst door cover**
- **Decorative wrought iron grate**
- **Wireless remote control**

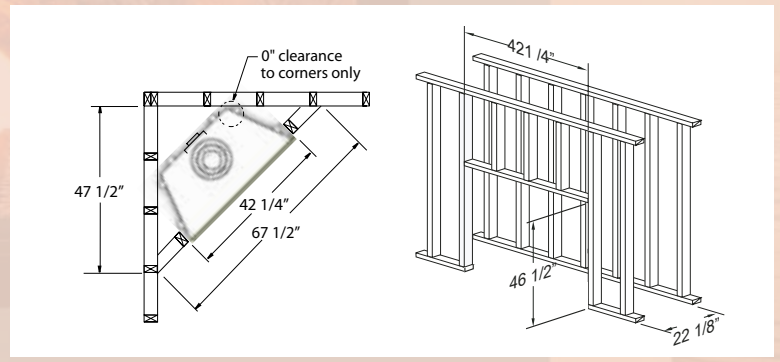
HW42DF

- **34,000 BTU/H on Natural Gas Only**
- **1028" viewing area**

fireplace dimensions



framing dimensions



Clearance to Combustibles	
	HW42DF
Top (Rear Vent)*	9
Top (Top Vent)*	10
Sides	1
Floor	0
Back	3
Mantel	4



MONTIGO DELRAY CORP.
 Langley, BC • Ferndale, WA
 Phone : (800) 378-3115 Fax: (866) 300-0927
 Email: fireplaces@montigo.com
 Website: www.montigo.com

Part# XB1081 - 111509 • Printed in Canada

